

Rev.	Sym.	Q'TY	ICN/ECN NO	Changed by	Date
V1.0			the first release		

COMPANY CONFIDENTIAL

A

B

C

D

E

F

A

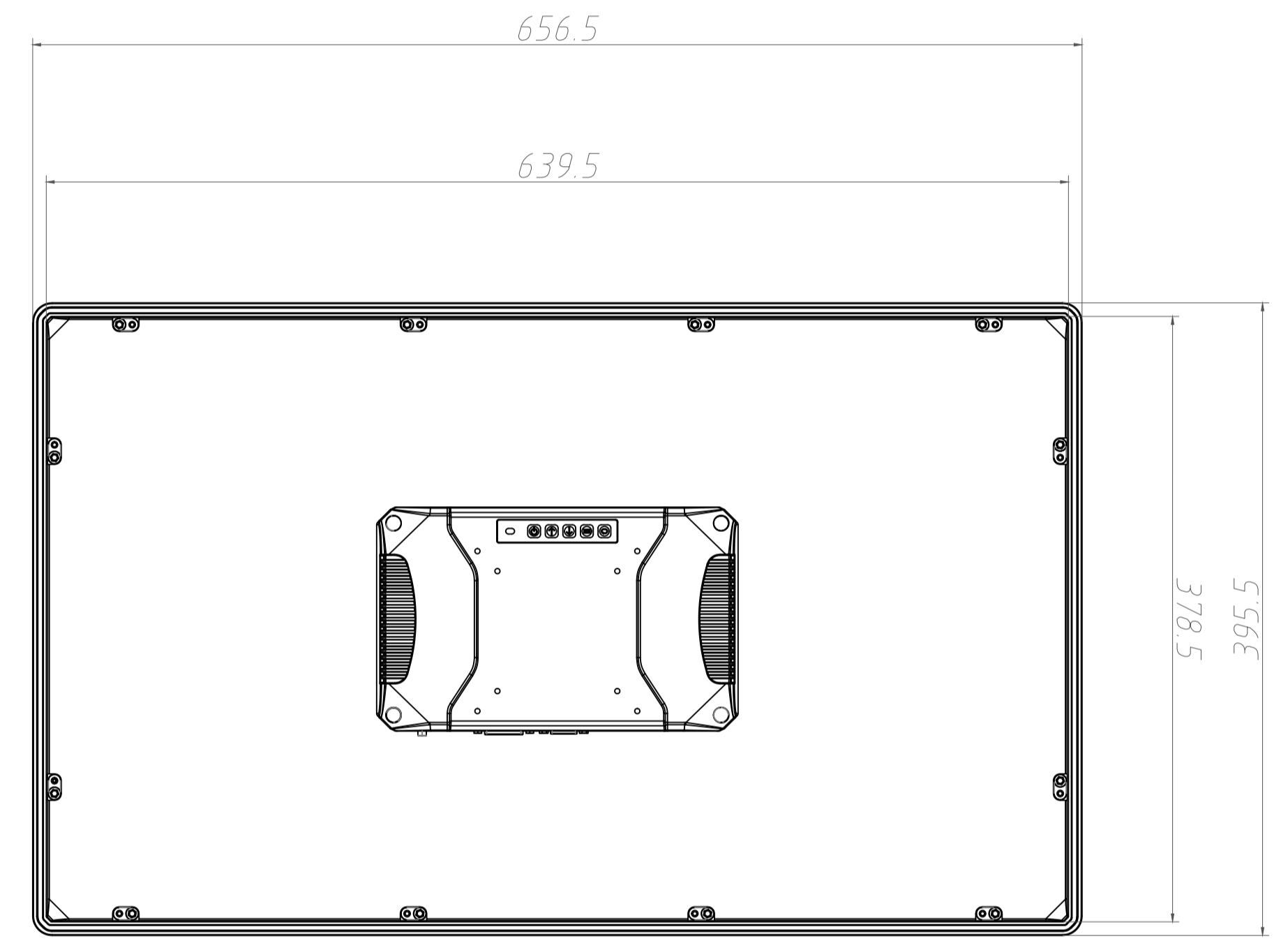
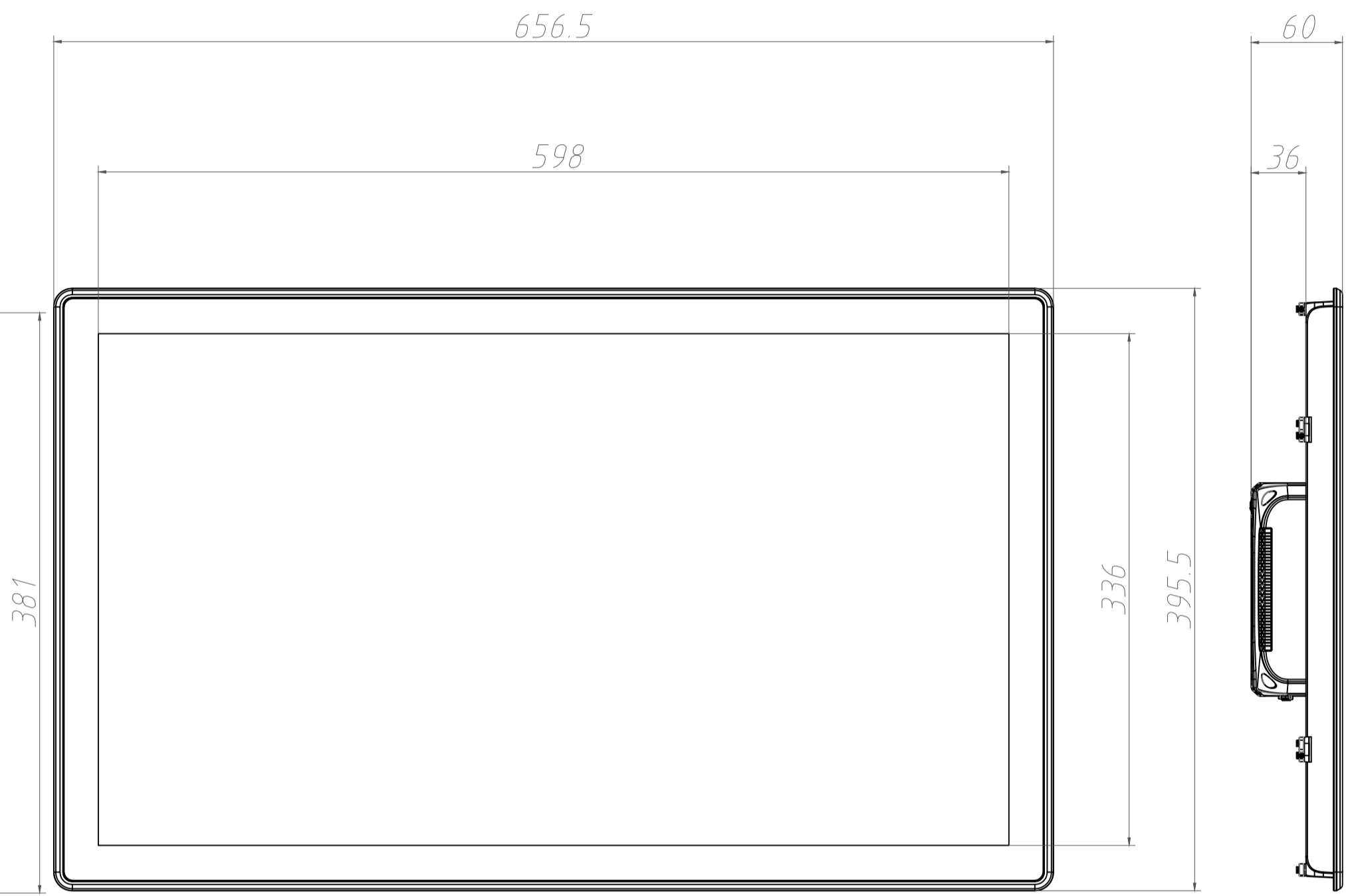
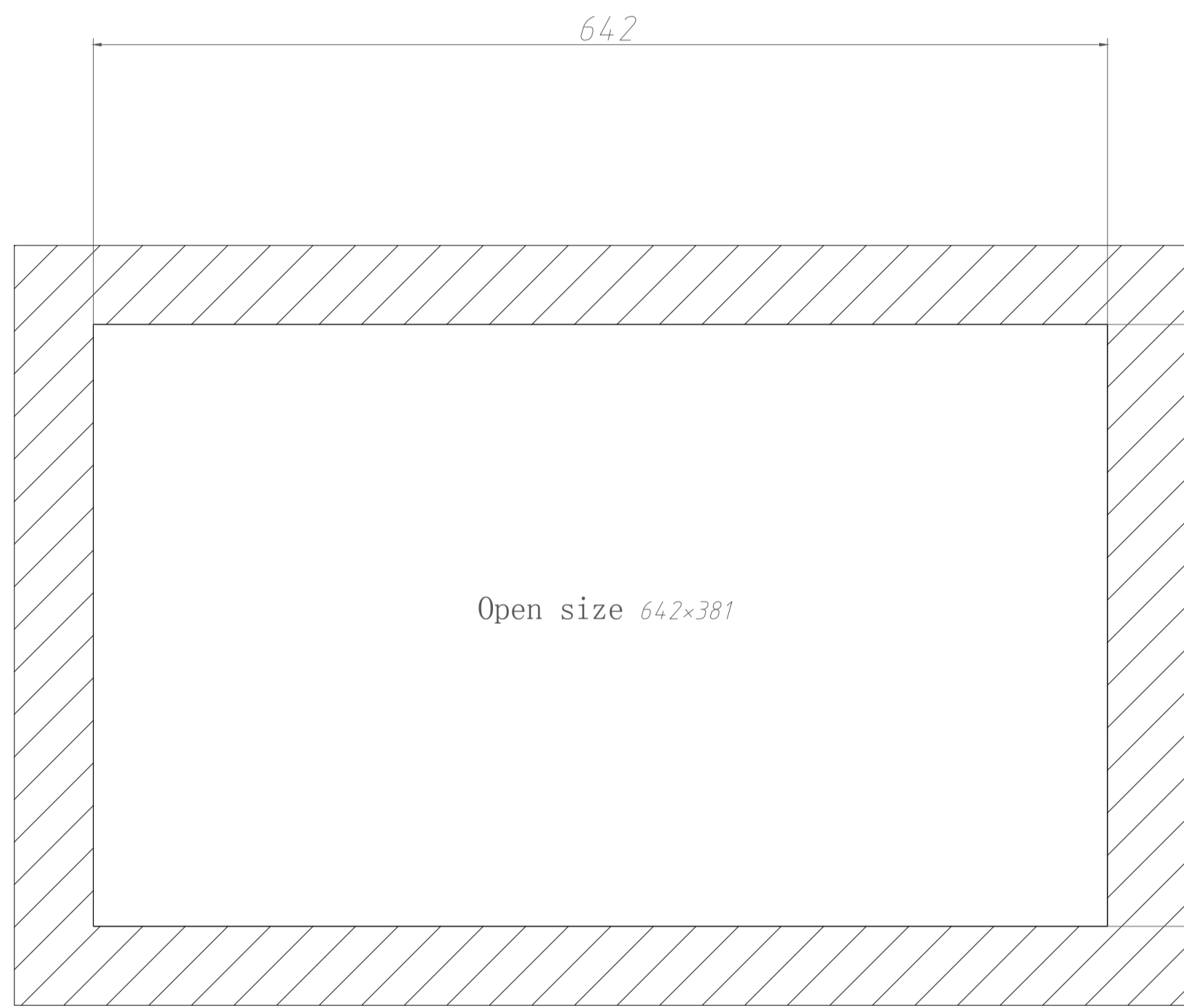
B

C

D

E

F



	Design		Part Name			
	Check		Part No			
	Approve		Material	See Notes	Size:	Scale: 1:1
			Process	See Notes	Unit: mm	Sheet: 1 of 1

1 2 3 4 5 6 7 8